



Industrial LCD Monitor - Open Frame

LE-SV12400 Series



Features:

- 12.1" TFT LCD supports 800 x 600 resolutions
- Ultra wide viewing angle: 89 (H & V)
- Wide range of operation temperature: -20°C ~ 70°C
- Ultra high contrast ratio (1,000 : 1)
- Sturdy & Lightweight aluminum chassis
- High performance Genesis LCD controller
- Luminance 450 nits
- Standard RGB signal input interface
- Optional support for DVI & Video interface
- Optional support for touch screen

Specifications:

Signal Input Interface

RGB
DVI (Optional)
RCA_Jack, S_Video (Optional)
YCbCr (Optional)

OSD Control

Auto-detection & Auto-adjustment
Horizontal & Vertical position adjustment
Brightness / Contrast / Hue / Saturation adjustment
Auto color setup and adjustment

Resolution & Display Color

Display Color: 262,144 colors
SVGA 800 x 600 @ 60HZ, 70HZ, 75HZ
VGA 640 x 480 @ 60HZ, 70HZ, 75HZ

Mechanical Characteristic

Dimension (L x W x H): 292mm x 214mm x 50.7mm
Weight: TBD
Color: Original aluminum

Power

Power Adapter: 60W
AC Input Voltage: 90VAC to 264VAC
AC Input Frequency: 50/60 HZ
Max. Load Current: 5A

Architecture

Aluminum chassis
Standard VESA mounting holes (75 / 100mm)
Four versatile mounting brackets

Panel Specifications

Item	Specification	Unit	
1	Diagonal Size	12.1	inch
2	Active Area	246.0(H) x 184.5(V)	mm
3	Bezel Opening Area	249.0(H) x 187.5(V)	mm
4	Driver Element	a-si TFT active matrix	-
5	Pixel Number	800 x R.G.B. x 600	pixel
6	Pixel Pitch	0.3075(H) x 0.3075(V)	mm
7	Display Color	262, 144	color
8	Center Luminance of White	450	nit
9	Contrast Ratio	1,000	-
10	Response Time	TR=13, TF=12	ms
11	Viewing Angle	89 (H & V)	degree
12	Backlight MTBF	50,000	hour
13	Panel Type	TFT Active	-
14	Storage Temperature	-20 ~ 80	°C
15	Operation Temperature	-20 ~ 70	°C

Ordering Information:

Model Number	Type	Brightness (nit)	Interface	Touch Screen	Touch Interface
LE-SV12400	Open frame	450	RGB	N/A	N/A
LE-SV12420	Open frame	450	RGB, DVI	N/A	N/A
LE-SV12450	Open frame	450	RGB, DVI, Composite, S_Video	N/A	N/A
LES-SV12401	Open frame	450	RGB	5-Wire R_Touch	USB
LES-SV12421	Open frame	450	RGB, DVI	5-Wire R_Touch	USB
LES-SV12451	Open frame	450	RGB, DVI, Composite, S_Video	5-Wire R_Touch	USB

www.spectrah.com

Spectrah Dynamics, Inc.

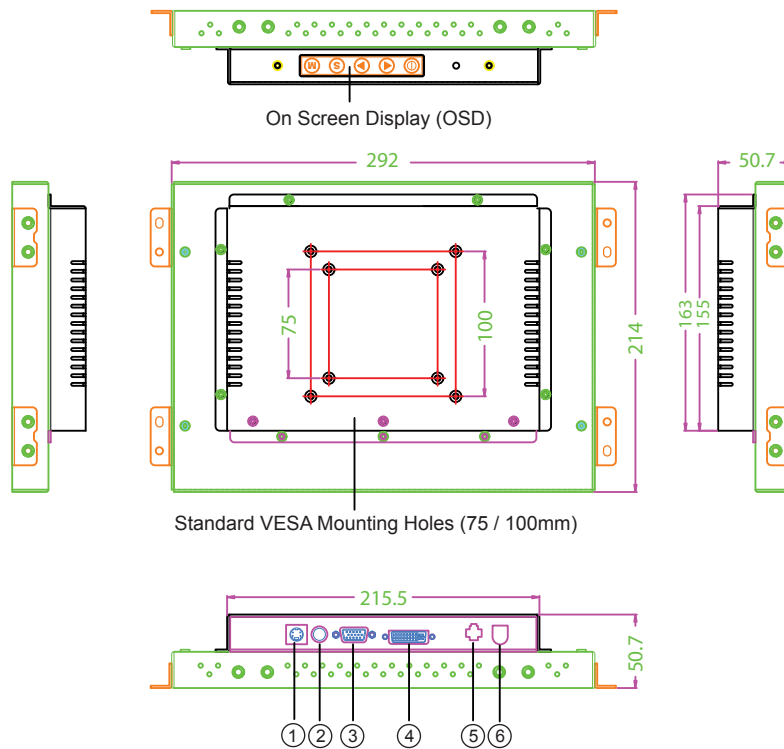
Tel: 886-2-86472026 | Fax: 886-2-86472201 | E-mail: spec_info@spectrah.com
Add: 5F-2, No. 188, Sec #3, Ta-tung Road, Hsi-Chi, Taipei Hsien 221, Taiwan.

Industrial LCD Monitor - Open Frame

LE-SV12400 Series

Dimension:

292mm x 214mm x 50.7mm (L x W x H)



① S_Video Signal Input ② RCA Jack ③ Analog R.G.B. Signals Input ④ DVI Connector ⑤ Power Connector ⑥ Touch Screen Connector

- LE-SV12400: ③ ⑤
- LE-SV12420: ③ ④ ⑤
- LE-SV12450: ① ② ③ ④ ⑤
- LES-SV12401: ③ ⑤ ⑥
- LES-SV12421: ③ ④ ⑤ ⑥
- LES-SV12451: ① ② ③ ④ ⑤ ⑥

Optional Touch Screen

Model Type	Size	Input Mode	Transparence	Durability
Resistive 5-Wire Touch Screen - TR5 Series	5.7" ~ 19"	Stylus or Finger	≥ 80%	Panel knock test: 35,000,000 times
Capacitive 5-Wire Touch Screen- TC5 Series	7.1" ~ 20.1"	Finger	> 90%	Panel knock test: 20,000,000 times

Optional Accessories

- AR-WM110151 - Wall mount bracket
- AR-WM450121 - Single monitor arm
- AR-DC484121 - LCD desk arm
- AR-DC715102 - LCD dual multiple monitor arm
- AR-PM507101 - Gas type LCD monitor arm
- AR-PC400101C - Clamp gas type arm