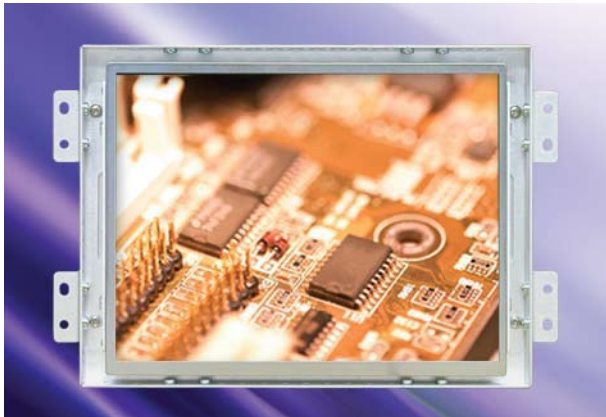




# Industrial LCD Monitor - Open Frame

## LE-V10400 Series



### Features:

- 10.4" TFT LCD supports 640 x 480 resolutions
- Wide range of operation temperature: -10°C ~ 70°C
- Ultra wide viewing angle: 88 (H & V)
- Ultra high contrast ratio (1,500 : 1)
- Sturdy & Lightweight aluminum chassis
- High performance Genesis LCD controller
- Luminance 450 nits
- Standard RGB signal input interface
- Optional support for DVI & Video interface
- Optional support for touch screen

### Specifications:

#### Signal Input Interface

RGB  
DVI (Optional)  
RCA\_Jack, S\_Video (Optional)  
YCbCr (Optional)

#### OSD Control

Auto-detection & Auto-adjustment  
Horizontal & Vertical position adjustment  
Brightness / Contrast / Hue / Saturation adjustment  
Auto color setup and adjustment

#### Resolution & Display Color

Display Color: 262,144 colors  
VGA 640 x 480 @ 60HZ, 70HZ, 75HZ

#### Mechanical Characteristic

Dimension (L x W x H): 254.7mm x 193mm x 44.7mm  
Weight: 1.2kg (LE series)  
Color: Original aluminum

#### Power

Power Adapter: 60W  
AC Input Voltage: 90VAC to 264VAC  
AC Input Frequency: 50/60 HZ  
Max. Load Current: 5A

#### Architecture

Aluminum chassis  
Standard VESA mounting holes (75 / 100mm)  
Four versatile mounting brackets

#### Panel Specifications

Item	Specification	Unit	
1	Diagonal Size	10.4	inch
2	Active Area	211.2(H) x 158.4(V)	mm
3	Bezel Opening Area	215.4(H) x 161.8(V)	mm
4	Driver Element	a-si TFT active matrix	-
5	Pixel Number	640 x R.G.B. x 480	pixel
6	Pixel Pitch	0.33(H) x 0.33(V)	mm
7	Display Color	262, 144	color
8	Center Luminance of White	450	nit
9	Contrast Ratio	1,500	-
10	Response Time	TR=14, TF=9	ms
11	Viewing Angle	88 (H & V)	degree
12	Backlight MTBF	50,000	hour
13	Panel Type	TFT Active	-
14	Storage Temperature	-20 ~ 80	°C
15	Operation Temperature	-10 ~ 70	°C

### Ordering Information:

Model Number	Type	Brightness (nit)	Interface	Touch Screen	Touch Interface
LE-V10400	Open frame	450	RGB	N/A	N/A
LE-V10420	Open frame	450	RGB, DVI	N/A	N/A
LE-V10450	Open frame	450	RGB, DVI, Composite, S_Video	N/A	N/A
LES-V10401	Open frame	450	RGB	5-Wire R_Touch	USB
LES-V10421	Open frame	450	RGB, DVI	5-Wire R_Touch	USB
LES-V10451	Open frame	450	RGB, DVI, Composite, S_Video	5-Wire R_Touch	USB

[www.spectrah.com](http://www.spectrah.com)

#### Spectrah Dynamics, Inc.

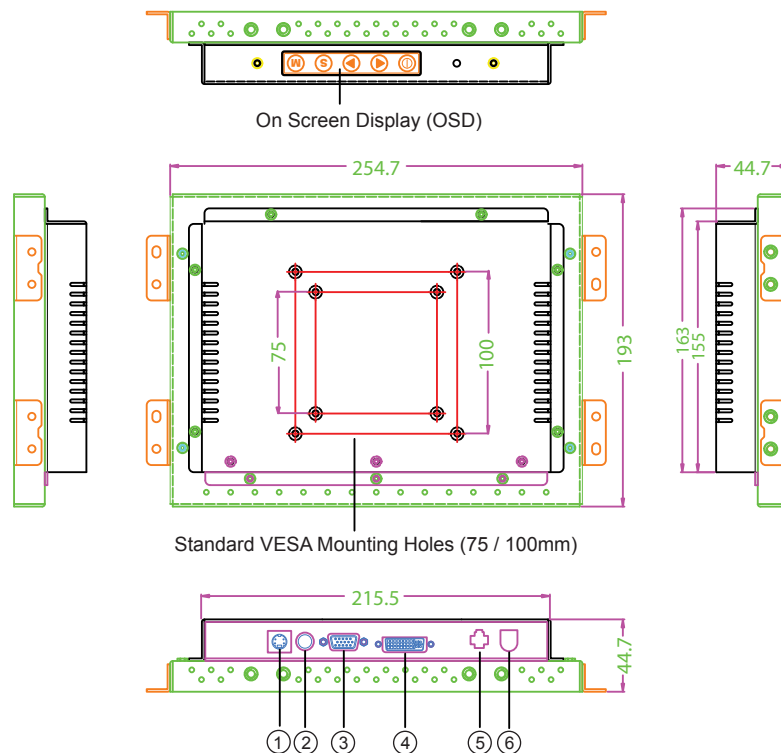
Tel: 886-2-86472026 | Fax: 886-2-86472201 | E-mail: [spec\\_info@spectrah.com](mailto:spec_info@spectrah.com)  
Add: 5F-2, No. 188, Sec #3, Ta-tung Road, Hsi-Chi, Taipei Hsien 221, Taiwan.

# Industrial LCD Monitor - Open Frame

## LE-V10400 Series

### Dimension:

254.7mm x 193mm x 44.7mm (L x W x H)



① S\_Video Signal Input   ② RCA Jack   ③ Analog R.G.B. Signals Input   ④ DVI Connector   ⑤ Power Connector   ⑥ Touch Screen Connector

- LE-V10400: ③ ⑤
- LE-V10420: ③ ④ ⑤
- LE-V10450: ① ② ③ ④ ⑤
- LES-V10401: ③ ⑤ ⑥
- LES-V10421: ③ ④ ⑤ ⑥
- LES-V10451: ① ② ③ ④ ⑤ ⑥

### Optional Touch Screen

Model Type	Size	Input Mode	Transparence	Durability
Resistive 5-Wire Touch Screen - TR5 Series	5.7" ~ 19"	Stylus or Finger	≥ 80%	Panel knock test: 35,000,000 times
Capacitive 5-Wire Touch Screen- TC5 Series	7.1" ~ 20.1"	Finger	> 90%	Panel knock test: 20,000,000 times

### Optional Accessories

- AR-WM110151 - Wall mount bracket
- AR-WM450121 - Single monitor arm
- AR-DC484121 - LCD desk arm
- AR-DC715102 - LCD dual multiple monitor arm
- AR-PM507101 - Gas type LCD monitor arm
- AR-PC400101C - Clamp gas type arm